

## Layout of External I/O Board



Door Strike 1 = For connection to EM lock.

Door Strike 2 = For other usage i.e External Buzzer/ External LED.

Door Senses = Sensor for detecting of door being left open.

Door Switches = Door strike will be activated once door switch is a closed circuit.

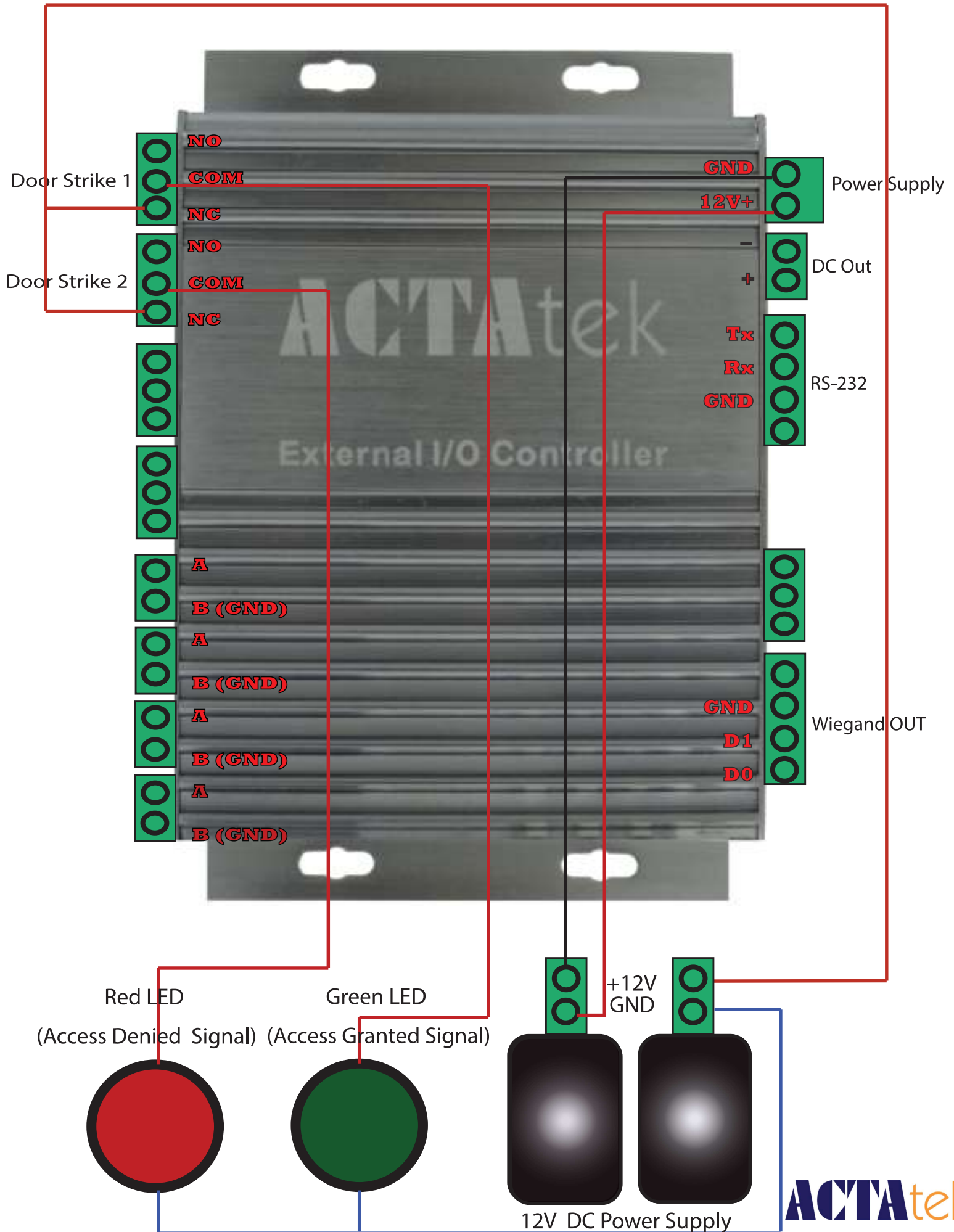
Power Supply = For connection to DC 12V power supply.

DC Out = To power up ACTAtek 4 unit (optional).

RS232 = For connection to ACTAtek 4 unit.

Wiegand Out = For wiegand output (26bit) interface.

# External I/O Controller with large LED wiring Diagram



## External Devices

If ACTA4 was connected to the external I/O board ready, you can see the connection status at external devices page.

(Note: The ACTA4 device will automatically detect the external I/O board once powered on . I/O board power on first, and then the ACTA4 device.

**ACTAtek** The worldwide leader in Web based technologies.

**Terminal**

- Log Off
- Terminal Status
- Add Record

**User Administration**

- Attendance Report
- Daily Report
- View Event Log
- Add Event Log
- View User List
- Add New User
- Departments
- User Messages
- Admin Setting

**Access Control**

- Access Groups
- Triggers
- Holidays Setting

**Terminal Settings**

- Terminal Setup
- Authentication/Log Setup
- Terminal List
- Access Client Setup
- Door Open Schedule
- Bell Schedule
- Connection Profile
- **Terminal Clock**
- External Devices
- DDNS

**Terminal**

- Cloud Storage Service
- SMS Service
- Alert Log

### External Devices

Add New External Reader

**External Reader Interface**

RS485 ▾

Reader Type	Reader Address	Reader Description	Trigger	Ignore
Mifare ▾	1 ▾		IN ▾	

Add

#### External Reader List

<input type="checkbox"/>	Reader Type	Reader Address	Trigger	Ignore	Quick Access
<a href="#">Select All</a>   <a href="#">Deselect All</a>					

Total 0 Readers

Delete Clear

#### External Secured Relay List

Relay Address
1 1

Total 1 Relays

#### External IO Board

[External I/O Board registered. Local device's relays disabled.]

Refresh

External I/O successfully connected with ACTA4 Unit.

# Terminal Setup

Door Strike2 is required to connect to external I/O board and it should be assing on Access Denied mode to trigger the RED LED during access denied as bellow.

ACTAtek The worldwide leader in Web based technologies.

- View Event Log
- Add Event Log
- View User List
- Add New User
- Departments
- User Messages
- Admin Setting

**Access Control**

- Access Groups
- Triggers
- Holidays Setting

**Terminal Settings**

- Terminal Setup**
- Autnentication/ Log Setup
- Terminal List
- Access Client Setup
- Door Open Schedule
- Bell Schedule
- Connection Profile
- Terminal Clock
- External Devices
- DDNS

**Terminal**

- Cloud Storage Service
- SMS Service
- Alert Log
- Syslog
- Firmware Upgrade
- Download Report
- Capture Fingerprint
- Remote Door Open
- Reboot

**Support**

- Register

Console Clock Format  12 hours  24 hours

**Wiegand Configuration**

Wiegand Type: 26-bit

Access Method: Finger Print, Password, Smart Card

Wiegand Output Format: User ID + Facility Code (EP + 8-bit FC + 16-bit UID + OP)

User Facility Code (FC): 1 (1 - 255)

**Miscellaneous**

Terminal Mode:  Stand Alone  Access Manager

Job Code:  Disable  Enable

Door SW Mode:  Door Switch  Door Sense

Door Strike 1 Option:  Disable  Access Granted  Emergency Mode  
Relay Delay: 8 sec (1-90)

Door Strike 2 Option:  Disable  Door Strike 1 Clone  Access Denied  Bell Schedule  Alarm (Door Strike 2) When Door Opening Time Is Exceeded 30sec  
Relay Delay: 8 sec (1-90)  
**Note: Setting should not be changed while in operation**

Network Camera: IP Address: \_\_\_\_\_ Port: 80  
Manufacturer: Axis Model: Axis 2100

Language: English

Webserver Port: 80 (80, 1024 - 65535)

Allowed IP:  Disable  Enable \* \_\_\_\_\_ (e.g. 192.168.1.\*)

2-digit Duress Code: \_\_\_\_\_

SMTTP Server: \_\_\_\_\_

Schedule reset: 2 : 38

Access Denied option should be enable for door strike 2 option to Triggered when denied message.